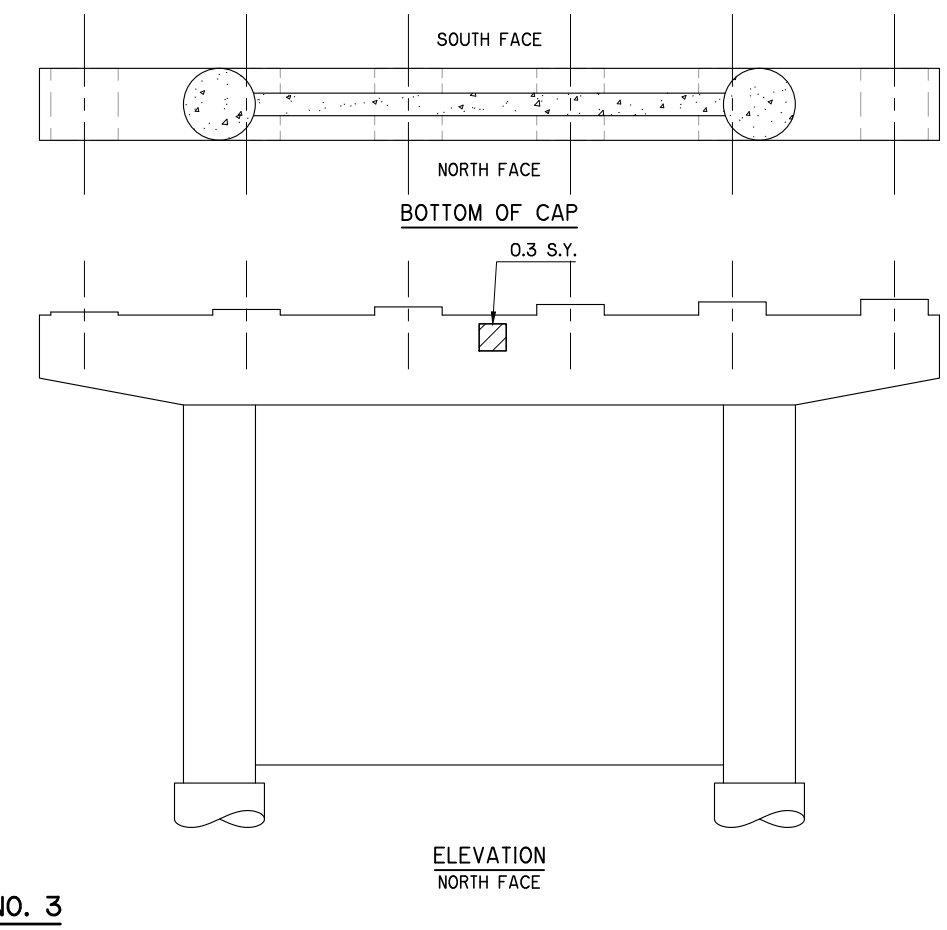
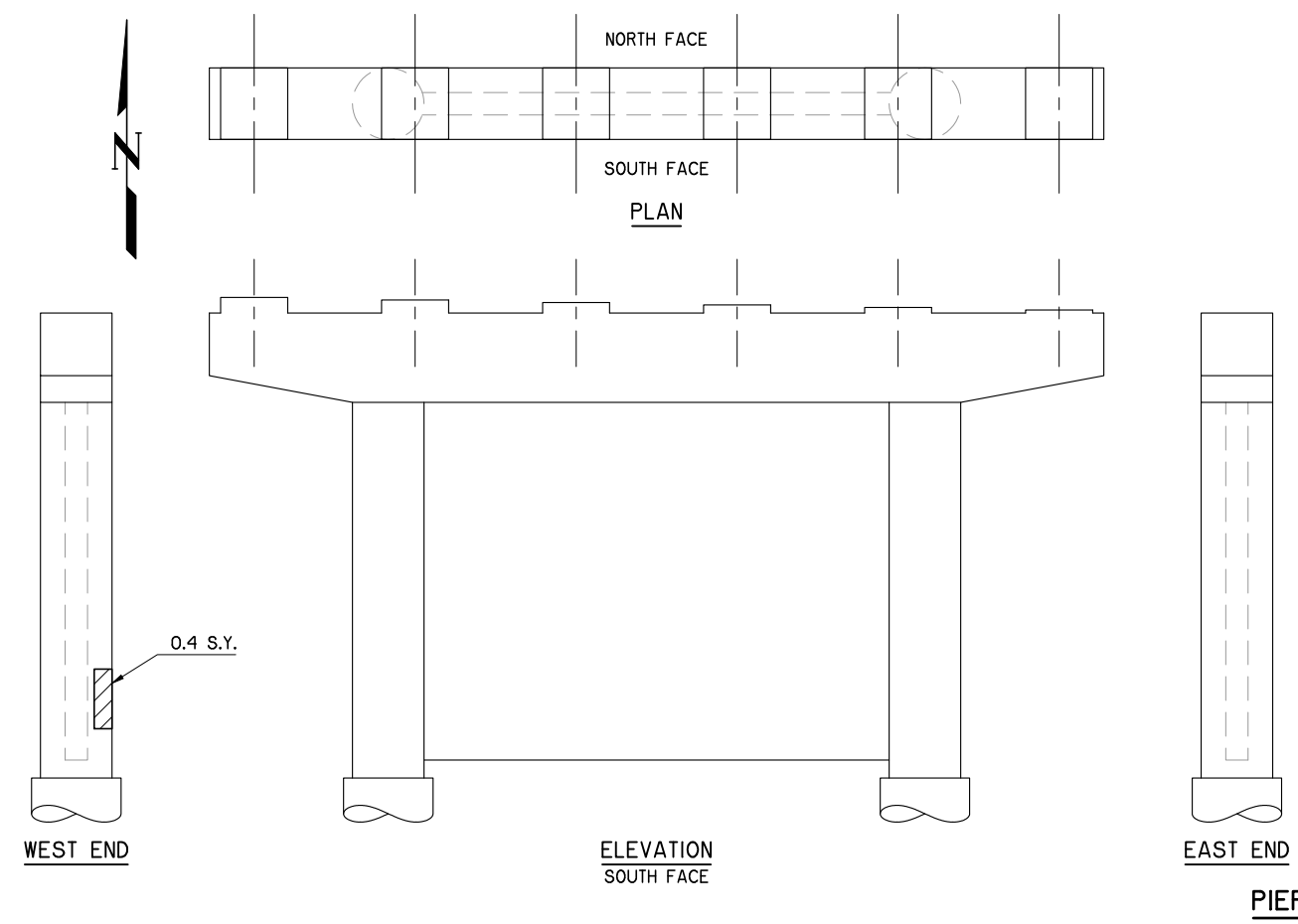
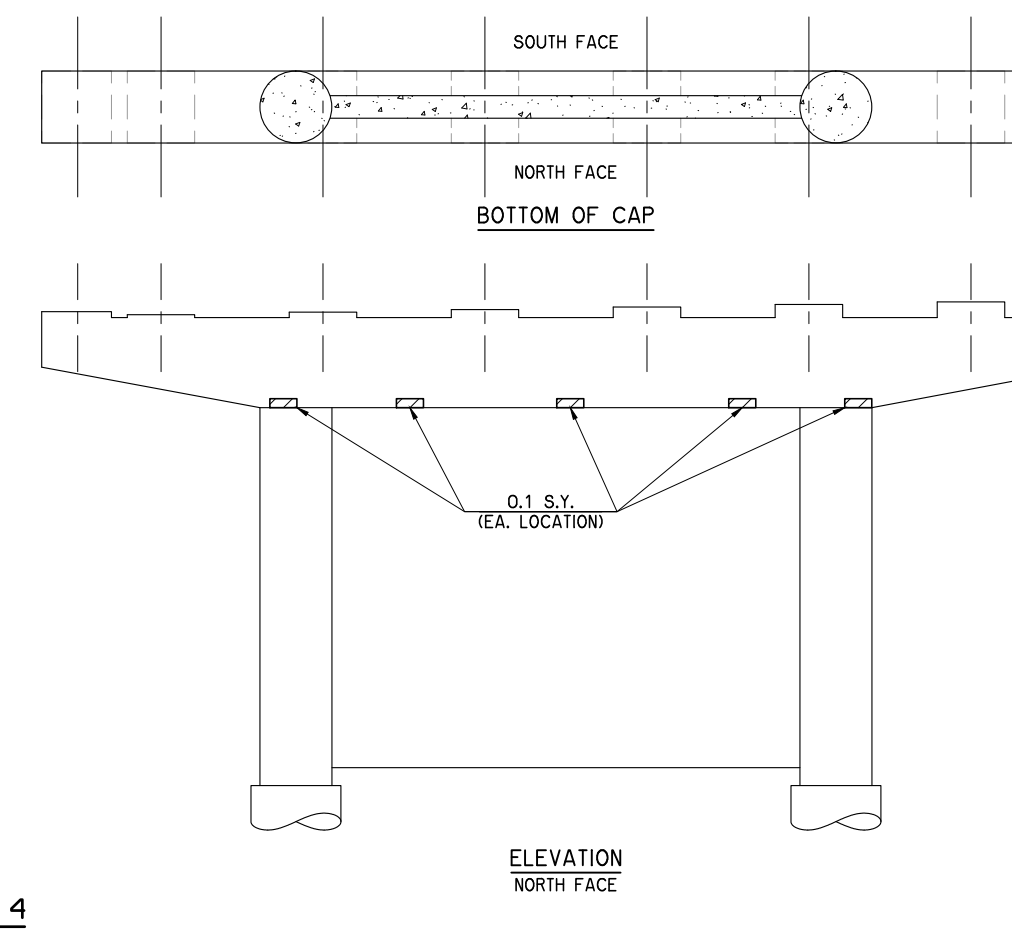
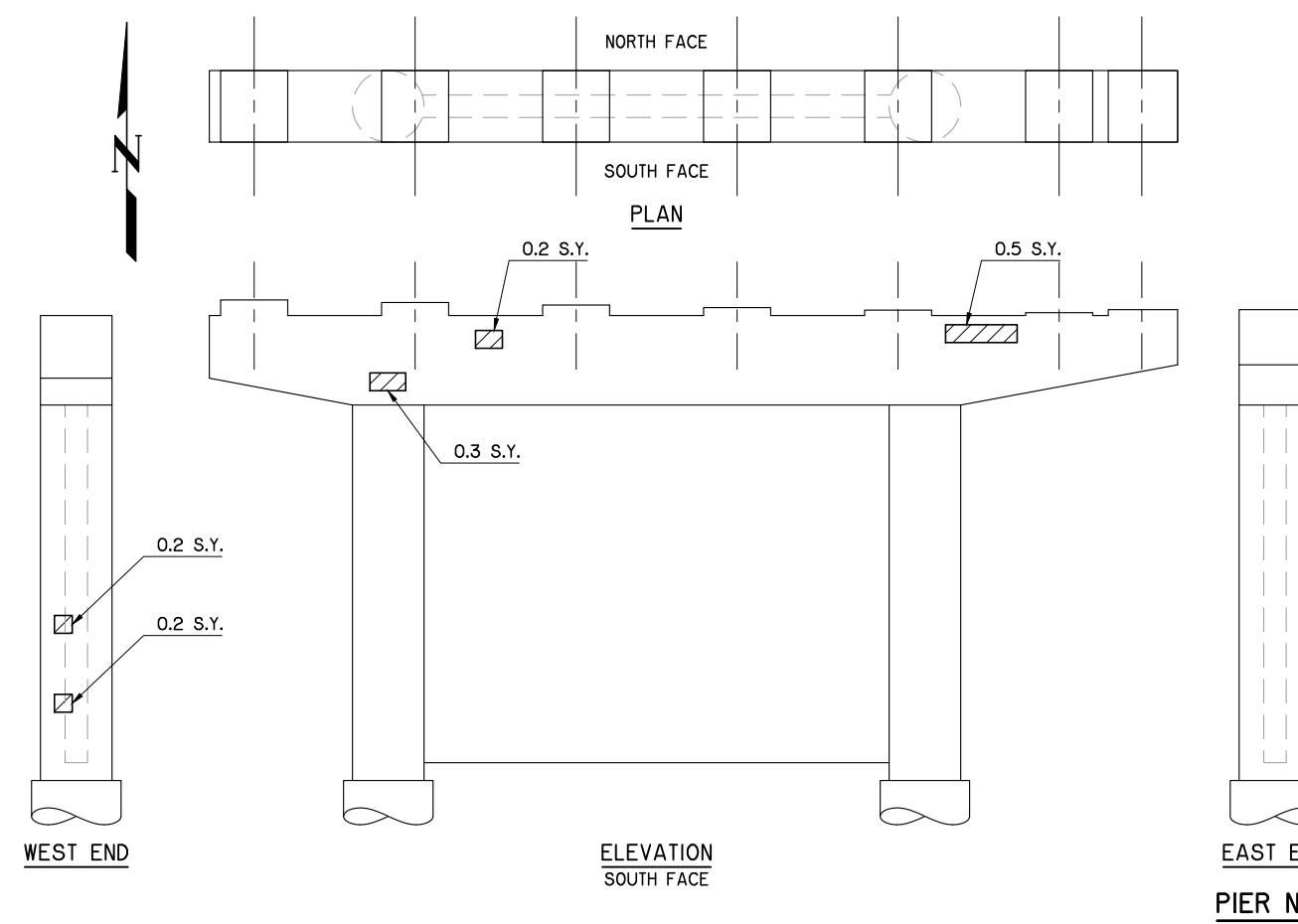


REVISIONS		
REV. NO.	DESCRIPTION	DATE



PIER NO. 3



PIER NO. 4

LEGEND

	PREPARATION OF CRACKS (ABOVE WATER)
	REPAIR BRIDGE ITEMS

I:\Active\1626\Drawings\14 Pier 3 & 4.dwg, 6/12/2017 11:10:35 AM, Fred

SH 51 NB OVER ARKANSAS RIVER	TULSA COUNTY	Design	ADT
PIER REPAIR DETAILS PIER NO. 3 AND NO. 4		Detail	FEZ
		Check	ADT
STATE OF OKLAHOMA		WHITE ENGINEERING ASSOCIATES	
DEPARTMENT OF TRANSPORTATION		JOB PIECE NO. 31358(04)	
		SHEET NO. 14	